

SMD TYPE

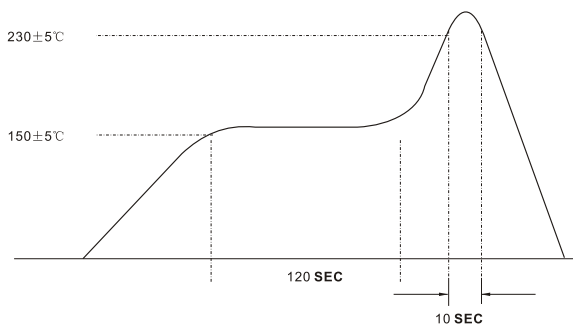
 外形尺寸 · **DIMENSIONS(mm)**


CXA	SMD CRYSTAL UNITS
751	7.0×5.0mm
631	6.0×3.5mm
531	5.0×3.2mm

DIMENSIONS SEE PAGE 8

技术参数 · PARAMETERS

MODEL		CXA-751	CXA-631	CXA-531k
参 数	FREQUENCY			
频率范围 (基频)	Freq Range(Fundamental)	10.0 ~ 40.0 MHz	13.0 ~ 45.0 MHz	13.0 ~ 45.0 MHz
频率 (3次泛音)	Freq Range(3rd overtone)	45.0 ~ 125.0 MHz	45.0 ~ 125.0 MHz	
调整频差	Frequency Tolerance	±10 ~ ±100ppm	±10 ~ ±100ppm	±10 ~ ±30ppm
温度频差	Frequency Stability	±10 ~ ±100ppm	±10 ~ ±100ppm	±10 ~ ±30ppm
Environmental Condition				
工作温度	Operating Temp range	-20°C ~ +70°C		
贮存温度	Storage Temp range	-40°C ~ +85°C		
老化率	Aging Rate	±1ppm ±2ppm ±3ppm/Year		
Electrical Specifications				
测试仪器	Test Circuit	S&A 250A With π Fixture		
负载电容	Load Capacitance	Series, 6PF 12PF 20PF OR special		
激励功率	Drive Level	15uW 30uW 100uW 500uW OR SPECIAL		
谐振电阻	Equivalent Series Resistance	SEE TABLE I		
静态电容	Shunt Capacitance	7.0pFmax		

SOLDERING REFLOW PROFILE
EQUIVALENT SERIES RESISTANCE


Total Time: 200 sec MAX

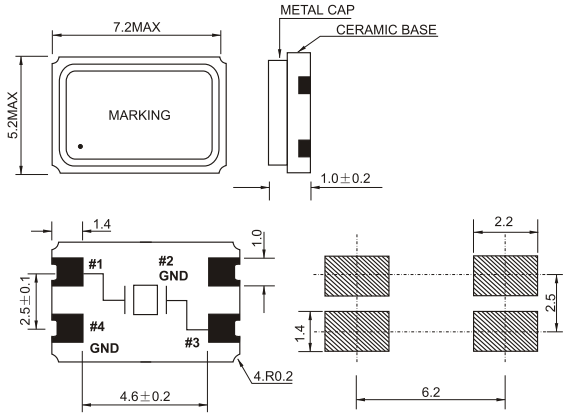
FREQ(MHz)	MODE	CXA-751	CXA-631	CXA-531
10.0 ~ 22.0	Fund	60 Ω		
22.0 ~ 40.0	Fund	40 Ω		
40.1 ~ 100.0	3rd overtone	60 Ω		
13.0 ~ 25.0	Fund		60 Ω	50 Ω
25.1 ~ 45.0	Fund		40 Ω	40 Ω
45.1 ~ 80.0	3rd overtone		80 Ω	
80.1 ~ 125	3rd overtone		60 Ω	

TABLE 1

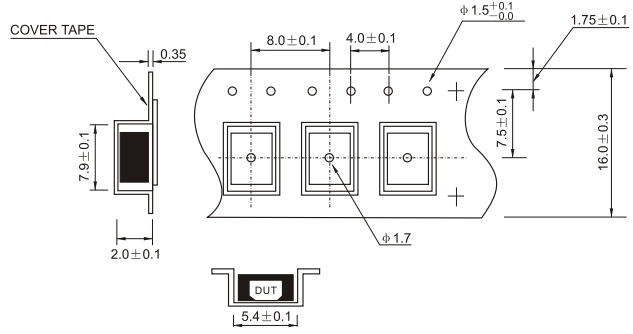
DIMENSIONS (mm)

TAPE SPECIFICATION (mm)

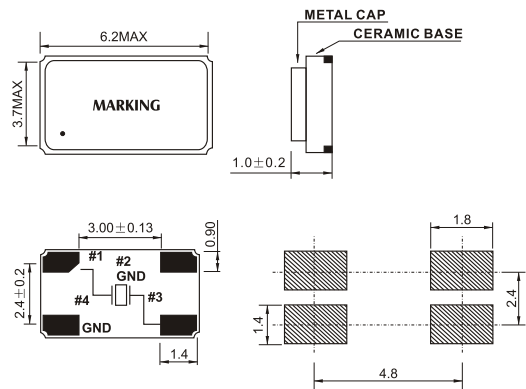
CXA-751



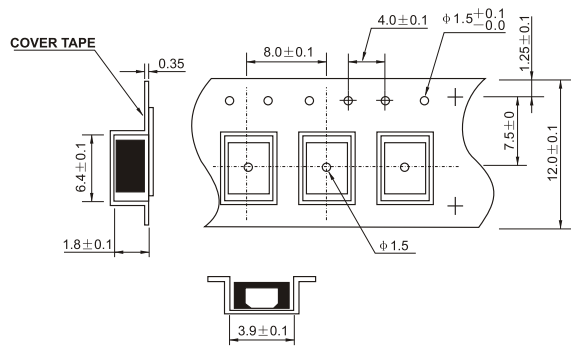
CXA-751



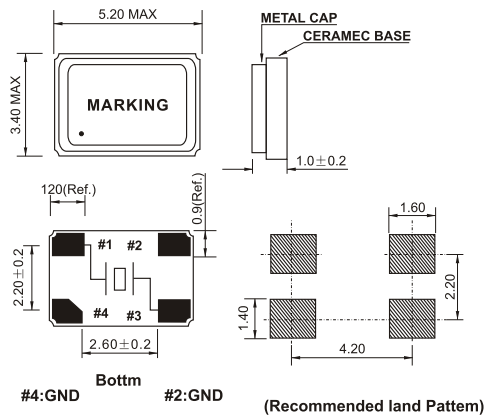
CXA-631



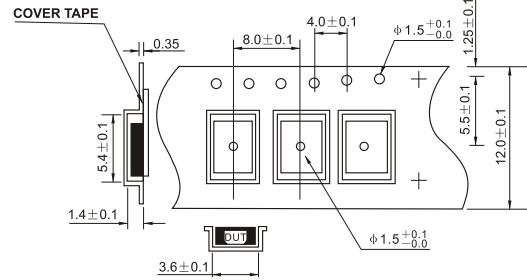
CXA-631



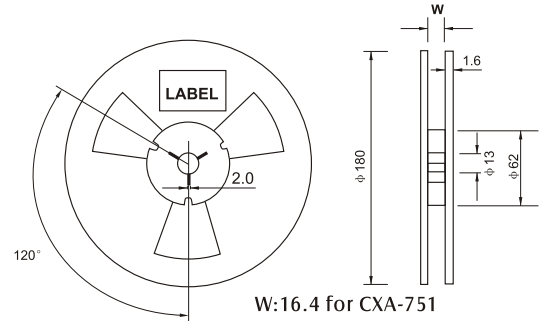
CXA-531



CXA-531



REEL PACKING (unit: mm)



W: 16.4 for CXA-751

12.2 for CXA-631 & CXA-531